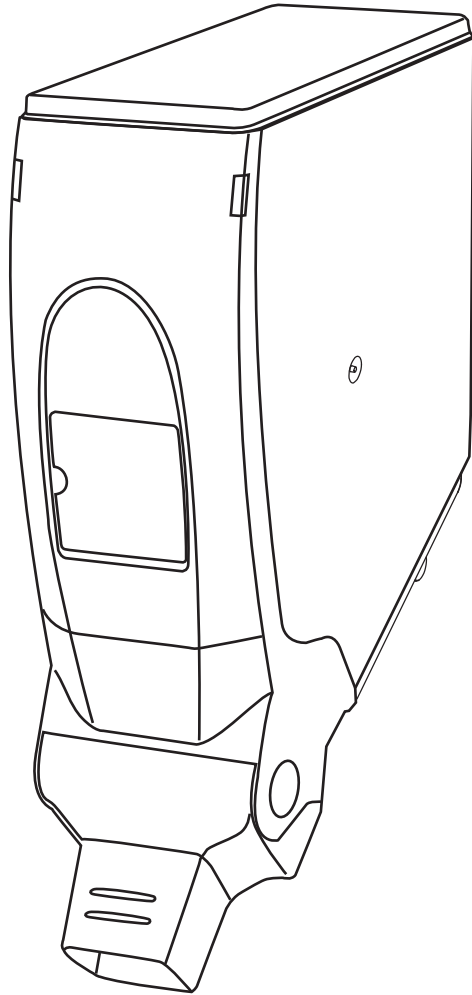
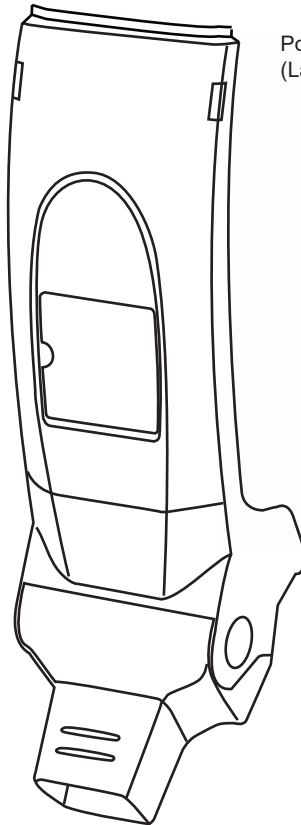


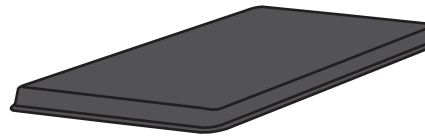
DURAPOD GD1500 GRAVITY BIN (Parts with Product Codes)



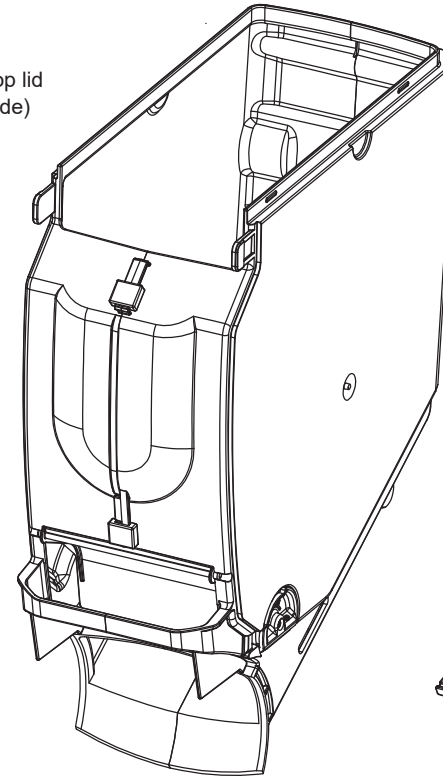
GD1525
Gravity Bin Body complete with false front



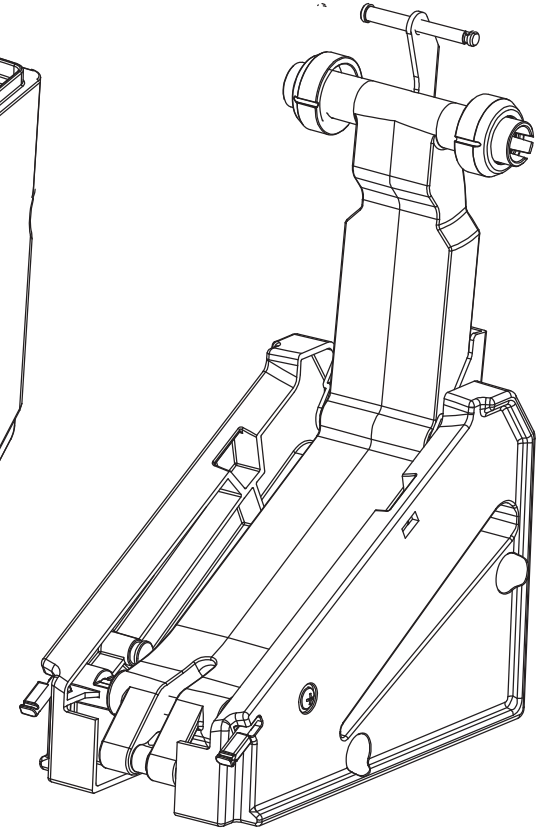
GD1509R
False Front complete with nozzle



GD1505
Top lid
Polypropylene top lid
(Large 6 inch wide)

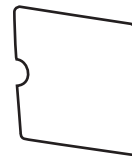


GD1504
Gravity Bin Assembled Chamber
Gravity Bin Assembled Chamber - complete
Bin Body (left & right sides with white clips &
spring loaded release pin)



GD1510
Durapod Base with hydraulic
pull-down complete

Product Code	Description
GD1504	Gravity Bin Assembled Chamber
GD1505	Gravity Bin Top Lid
GD1506	Clear plastic Label Lens for 6" wide GD1500
GD1508	Polymer return spring (rubber bungee)
GD1509R	False Front complete with nozzle
GD1510	Gravity Base complete with pull-down arm
GDW01	White Joiner Clips
GD1525	Gravity Bin Body complete with False Front & nozzle
GD1506	Clear plastic label lens



Label Lens 6"
GD1506



GD1508
Polymer return spring
(Rubber Bungees)



GDW01
White Joiner Clips